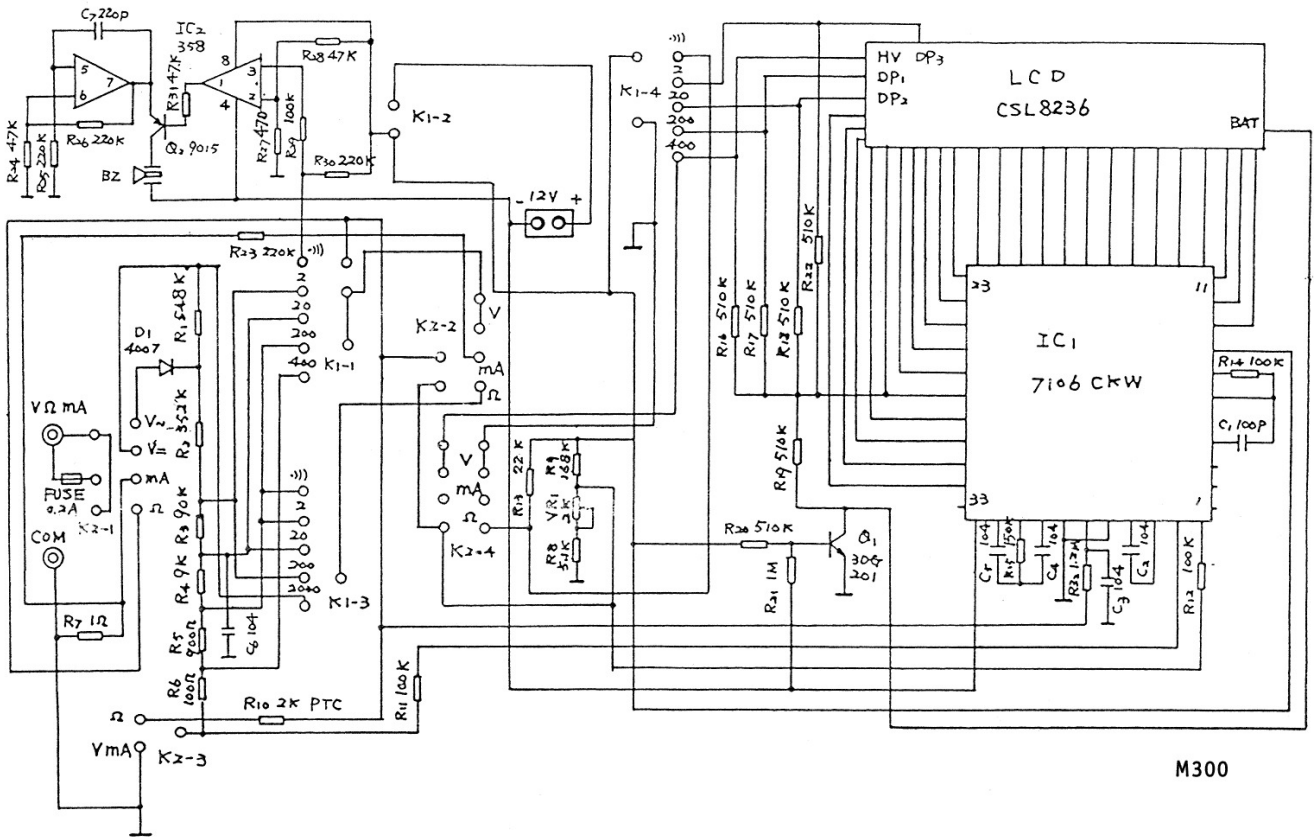


Mastech M-830b User Manual



M300

DOWNLOAD: <https://byltly.com/29c059>



a9c2e16639

[Reimage PC Repair Pro 2020 Crack \[License Key Torrent\] Windows!](#)
[treasures reading grade 3 boom town story online to read rar](#)
[seafarer evaluation training system sets plus.14](#)
[tamil hd movies 1080p blu Arrival \(English\) free download](#)
[ele actual a2 guia didactica pdf 13](#)
[Magee Orthopedic Physical Assessment Ebook Pdf Download](#)
[Ebook Free Download Novel Melayu](#)
[FS2004 FSD Piper Cheyenne 400 LSzip](#)
[Herbert Lockyer All Series Pdf 140](#)
[ib chemistry question bank 37](#)